



3000 LB. CAPACITY TURNTABLE

The Model LPT Turntable can be used for loading or unloading pallets, tote pans and boxes. In assembly or repair operations it provides convenient access to all sides of the equipment.



STANDARD SPECIFICATIONS

Diameters: 36", 42", 48", 54" and 60".

Base: 3/8" thick steel plate, top and bottom.

Top: Standard Flat Top with countersunk fasteners.

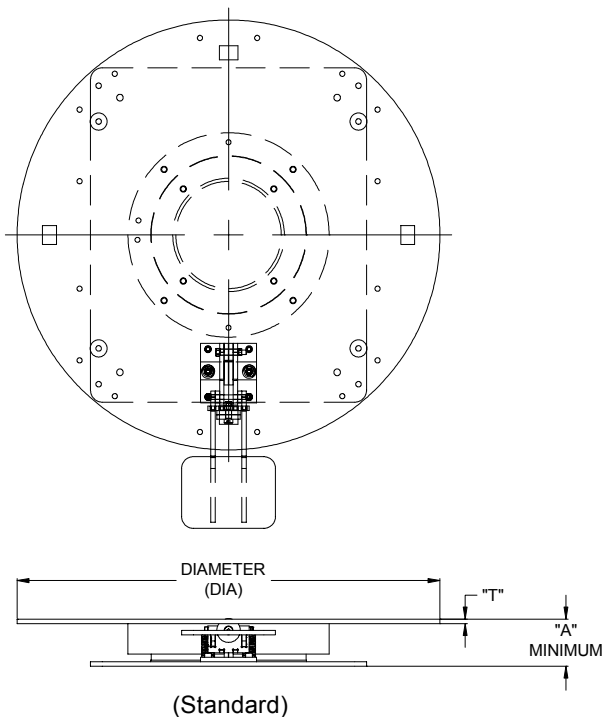
Stop: Standard Foot operated stop for 90° indexing

Center Bearing: Slewing Ring.

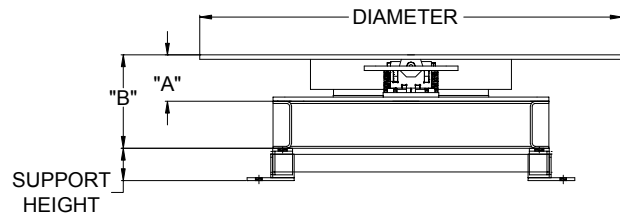
Capacity: Up to 3000 lb evenly distributed

Supports: None for Dim "A" Minimum Elevation. Base frame weldment only for elevations greater than Dim "A" up to Dim "B". SPHH Style supports with base frame weldment for elevations ABOVE Dim "B".

Finish: Standard P94; Saftey Blue, Epoxy Powder Coat.



DIAMETER (DIA)	TOP "T"	"A"	"B"
36	.375	4.00	8.00
42	.375	4.00	8.00
48	.375	4.00	8.00
54	.50	4.125	8.125
60	.50	4.125	8.125



(Shown with optional base frame weldment and supports)

OPTIONAL COMPONENTS

Finish P94; P09, P11, P24, P45, P95

*For descriptions of **OPTIONAL COMPONENTS** see pages 170-176.

AVAILABLE ACCESSORIES

- Spring loaded detent (remove foot pedal and adjust spring tension).
- Diameters and capacities other than specified.
- Standard supports.

HOW TO ORDER

LPT - DIA - EE - FINISH

EXAMPLE LPT-36-4-P94