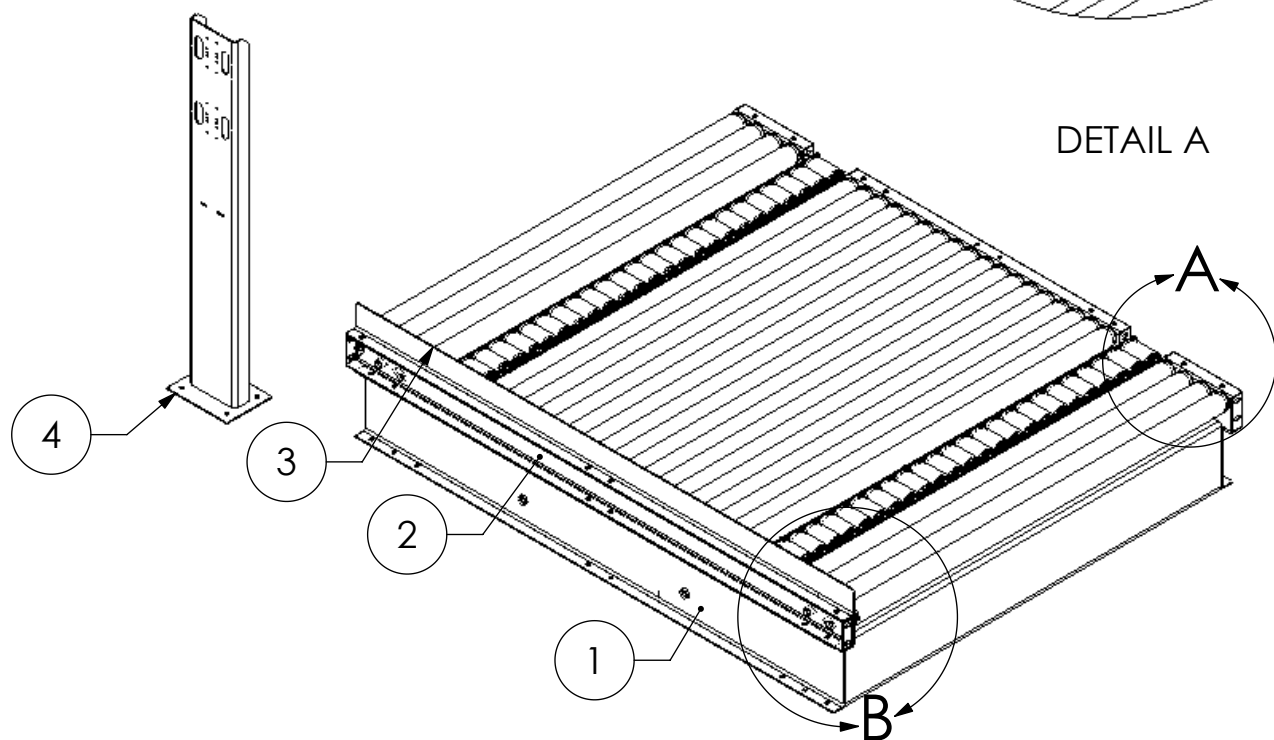
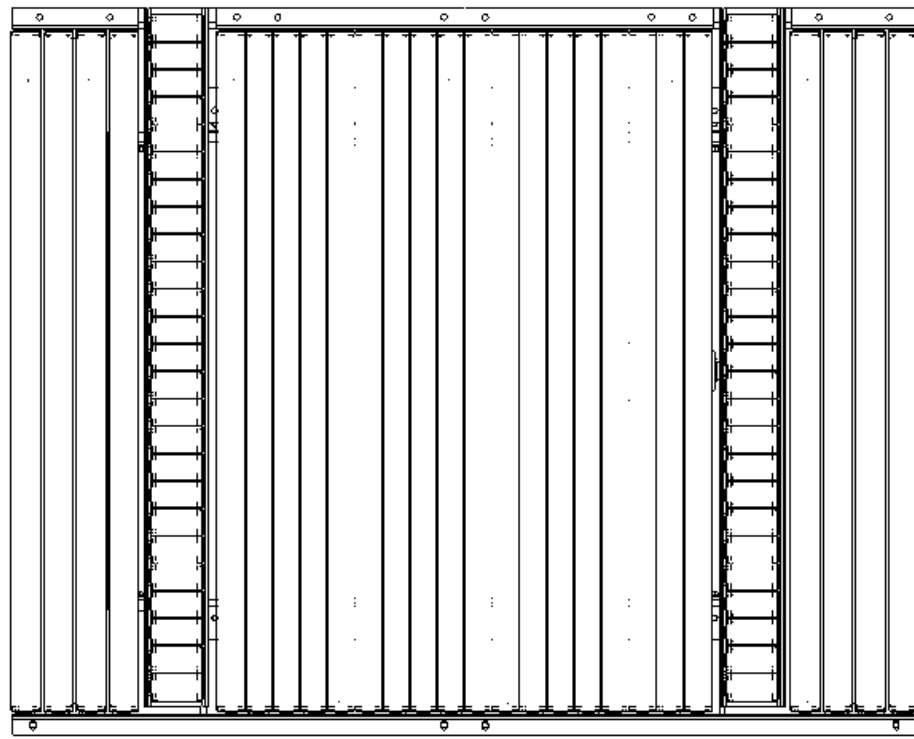
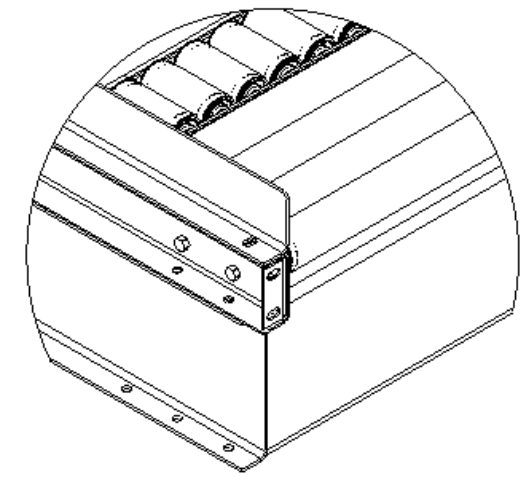
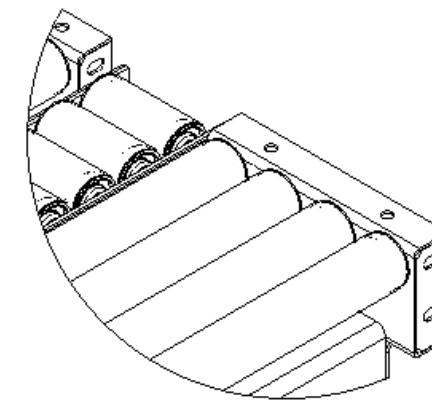


ITEM NO.	PART NUMBER	DESCRIPTION	LOWERED/QTY.
1	027886-006-1000	PURTE ASSEMBLY	1
2	027886-006-2000	FRAME, CHANNEL, F97, 3-1/2X1-1/2	1
3	CVF0338-3-1.5-66	GUARDRAIL, ANGLE, 3/16" MATERIAL	1
4	CVS0734	VALVE STAND, ASS'Y W/HAND VALVE	1



DETAIL A

DETAIL B

NOTES	
STRANDS, NUMBER	2
CHAIN CENTERS	42
ROLLER CENTERS	2
BETWEEN FRAMES	50
CONVEYOR LENGTH	66
ROLLER BEARING	A10
ROLL COVER	V98
QTY	2

REVISION			
REV#	DATE	DESCRIPTION	BY

Tolerances			
Fabricated parts Tolerance			
Angular	±1°	1 Place	±0.020"
Fractional	±1/32"	2 Place	±0.010"
Feet & inch	±1/16"	3 Place	±0.005"
Machined parts Tolerance			
Angular	±1°	1 Place	±0.020"
		2 Place	±0.005"
		3 Place	±0.001"

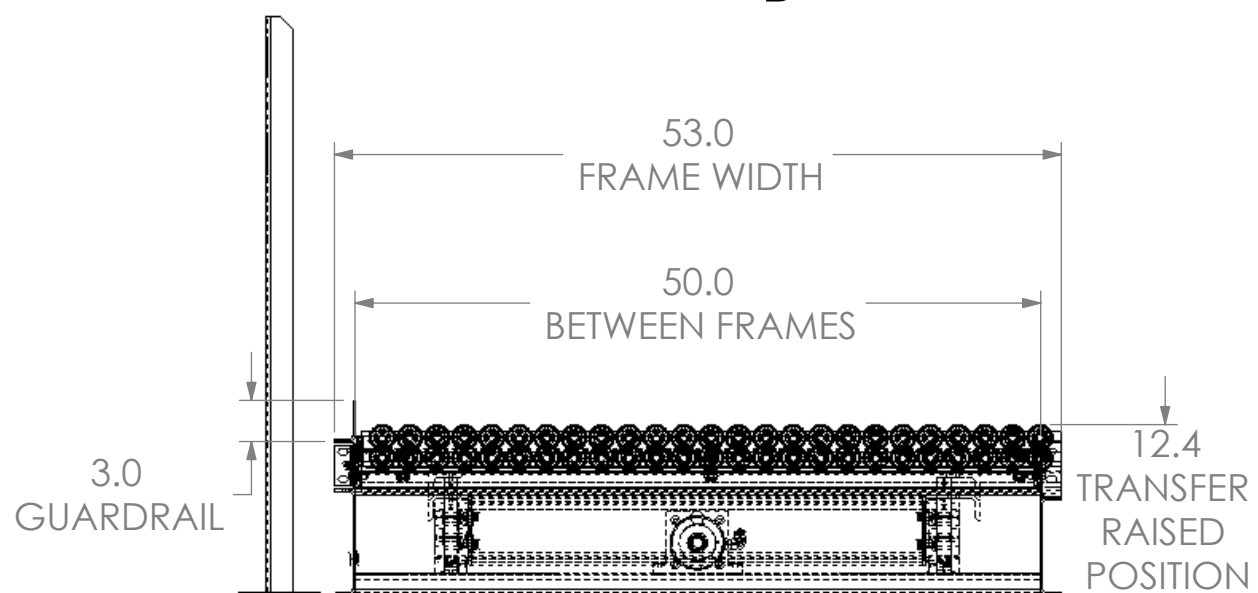
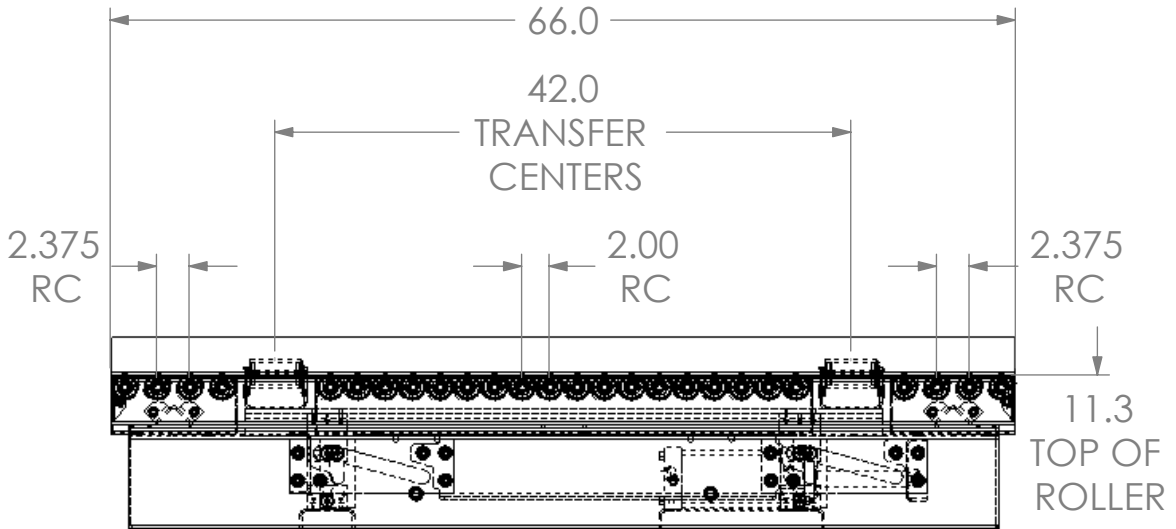
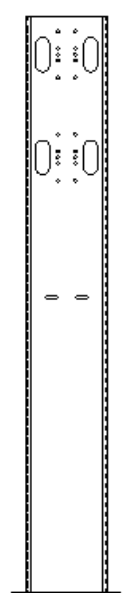
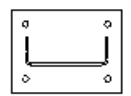
Paint: PP94 POWDER COAT, BLUE

**LEWCO, INC.**  
 706 LANE ST. SANDUSKY, OHIO 44870  
 PHONE: (419) 625-4014 FAX: (419) 625-3746

LEWCO S.O. No: 027886 Customer: MCKESSOCK ENGINEERING, LTD  
 Sheet No: MCKESSOCK C/O COMMERCE BORK.

Title: PURTE19 TRANSFER  
 POP UP ROLLER TRANSFER EXTERNAL

This drawing is confidential and subject to return. It also must not be copied, reproduced, or used for any purpose without the written consent of LEWCO, INC. ALL RIGHTS RESERVED.  
 CAD Filename: 027886-006-0000  
 Drawn By: ALSH  
 Date: 11/22/06  
 Checked By:



APPROVAL	
APPROVED AS SHOWN	
APPROVED AS NOTED	
REVISE & RESUBMIT	
APPROVED BY:	
DATE:	
ONLY THE DIMENSIONS, FEATURES, AND NOTES EXPLICITLY PROVIDED IN THIS DRAWING ARE PRESENTED FOR APPROVAL. IF ADDITIONAL INFORMATION IS NEEDED TO MEET CUSTOMER REQUIREMENT, PLEASE MARK-UP DRAWING AND RETURN TO LEWCO TO REVISE & RESUBMIT. SOME CHANGES MAY REQUIRE A PRICE CHANGE.	

Our Vision: To be the finest conveyor distributor in the hearts and minds of the people we serve.  
**MCKESSOCK ENGINEERING Ltd.**  
 7-138 Anderson Avenue, Markham, L6E 1A4  
 Phone: 905-471-0420, Fax: 905-471-6617  
 Email: sales@mckessockconveyors.com  
 www.mckessockconveyors.com  
 Your Conveyor Solutions Specialist