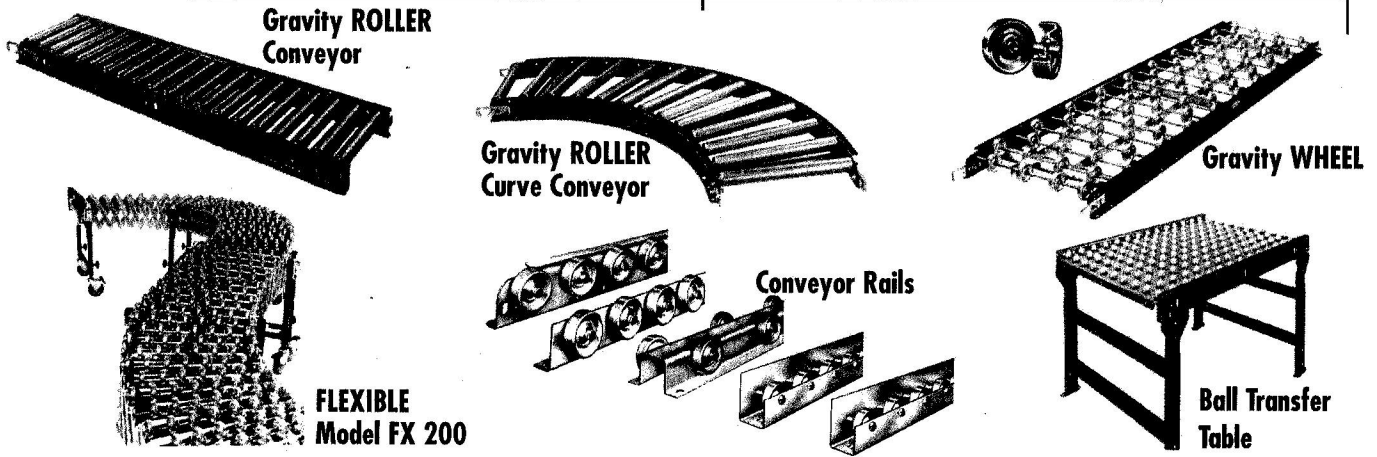


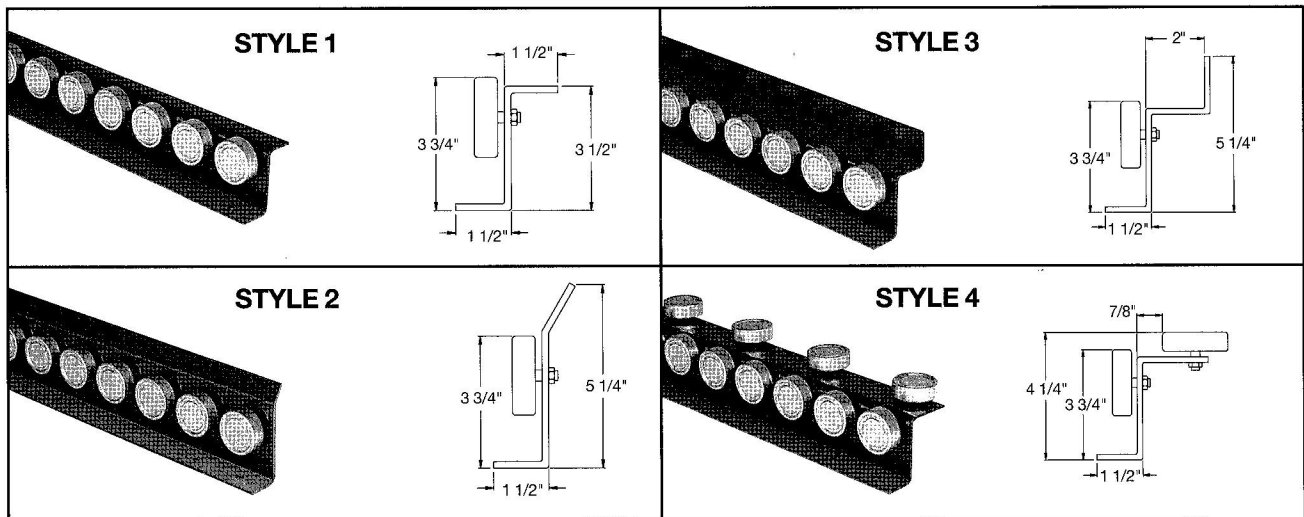
# Flow Rail



# **MCKESSOCK** **ENGINEERING Ltd.** **CONVEYOR SOLUTIONS**

7-138 Anderson Avenue, Markham, ON. L6E 1A4 • Phone: 905-471-0420 • Fax: 905-471-6617  
Email: sales@mckessockconveyors.com • www.mckessockconveyors.com

# Pallet Rail



- 7 ga. painted frames
- 2 1/4 in. dia. wheels
- Wheel capacity = 290 lbs.

- Wheels available on 3 in., 6 in. or 12 in. centers
- Frame capacity (uniformly distributed load)  
300 lbs./ft. with supports on 5 ft. centers

## Conveyors - Moving Your Ideas Into The Future