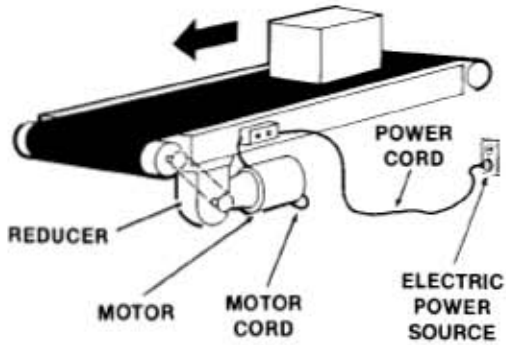


# APPLICATIONS

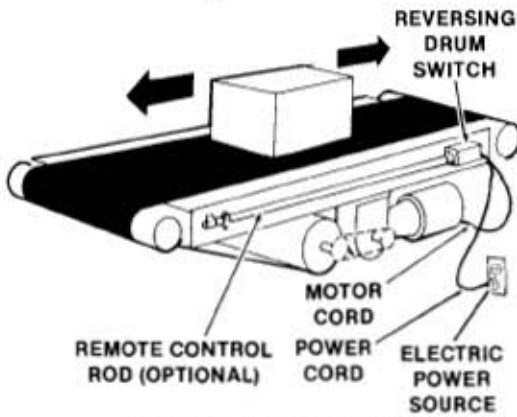


## ● Manual Start-Stop Switch



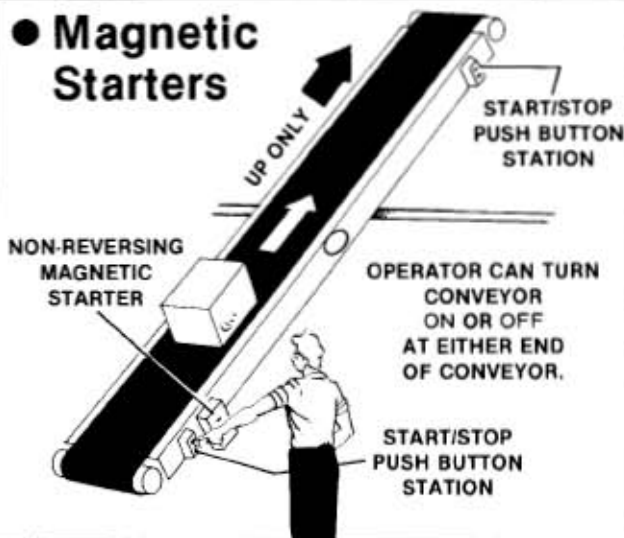
BELT WILL MOVE IN ONE DIRECTION ONLY.

## ● Reversing Drum Switch



CONVEYOR IS REVERSIBLE.

## ● Magnetic Starters



## ● Reversing Magnetic Starters

TYPICAL USES OF REVERSING MAGNETIC STARTERS & PUSH BUTTON STATIONS

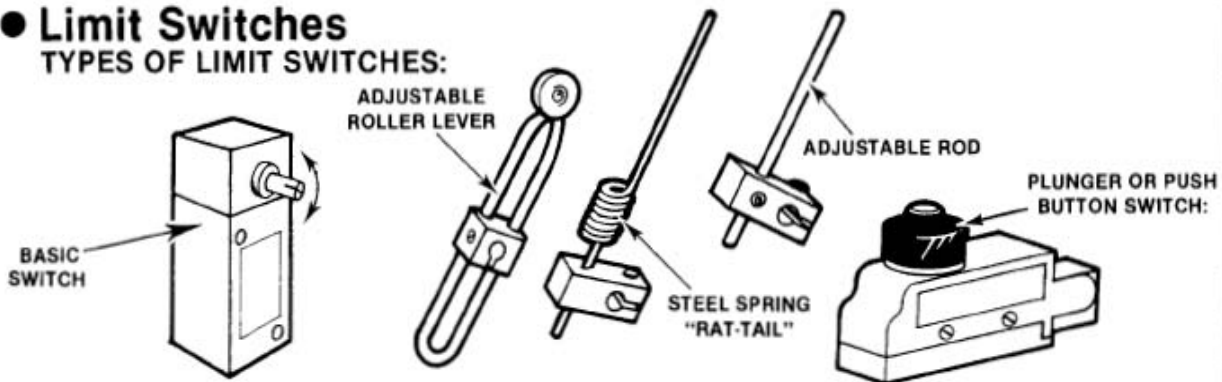


# OTHER CONTROLS



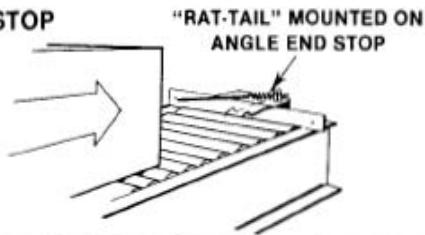
## ● Limit Switches

TYPES OF LIMIT SWITCHES:

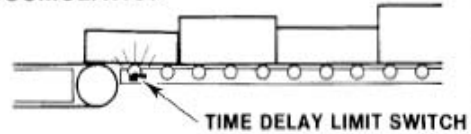


### TYPICAL LIMIT SWITCH APPLICATIONS

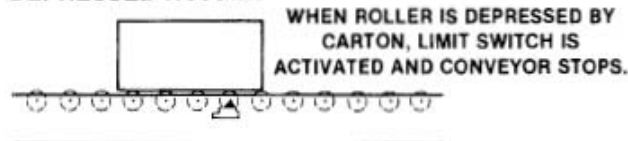
#### END STOP



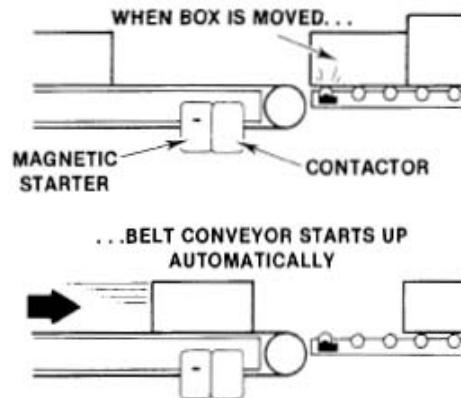
#### ACCUMULATION



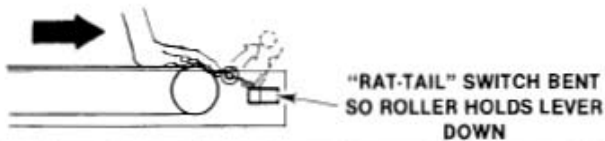
#### DEPRESSED ROLLER



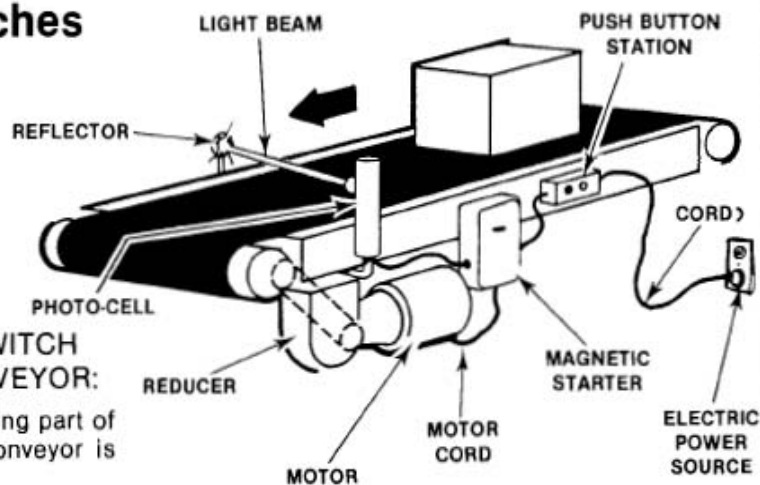
#### AUTO RESTART



#### POP-OUT ROLLER



## ● Photo Electric Switches



### HOW A PHOTO-ELECTRIC SWITCH CONTROLS A POWERED CONVEYOR:

When the beam is blocked, the switching part of the photo-cell is activated and the conveyor is stopped.